

FUGOO 

SolarVac 

Solar Powered Pool Cleaning Robot



Model: **FSV100**

User Manual

(Note: Please read this manual carefully before use to avoid danger or damage to the product due to improper operation)

FCC Statement :

This device complies with Part 15 of the FCC Rules. Operation is subject to the following two conditions:

- (1) This device may not cause harmful interference, and
- (2) This device must accept any interference received, including interference that may cause undesired operation.

Warning: Changes or modifications not expressly approved by the party responsible for compliance could void the user's authority to operate the equipment.

NOTE: This equipment has been tested and found to comply with the limits for a Class B digital device, pursuant to Part 15 of the FCC Rules. These limits are designed to provide reasonable protection against harmful interference in a residential installation. This equipment generates uses and can radiate radio frequency energy and, if not installed and used in accordance with the instructions, may cause harmful interference to radio communications. However, there is no guarantee that interference will not occur in a particular installation. If this equipment does cause harmful interference to radio or television reception, which can be determined by turning the equipment off and on, the user is encouraged to try to correct the interference by one or more of the following measures:

- Reorient or relocate the receiving antenna.
- Increase the separation between the equipment and receiver.
- Connect the equipment into an outlet on a circuit different from that to which the receiver is connected.
- Consult the dealer or an experienced radio/TV technician for help.

FCC Radiation Exposure Statement

This equipment complies with FCC radiation exposure limits set forth for an uncontrolled environment. This equipment should be installed and operated with minimum distance of 8 inches approx. between the radiator and your body.

Safety statement

IMPORTANT SAFETY INSTRUCTIONS READ ALL INSTRUCTIONS BEFORE USING

When installing and using this electrical equipment, basic safety precautions should always be followed, including the following:

WARNING: Read all safety warnings and instructions. Failure to follow the warnings and instructions may result in electric shock, fire and/or serious injury.

Host and accessories related safety precautions

WARNING:

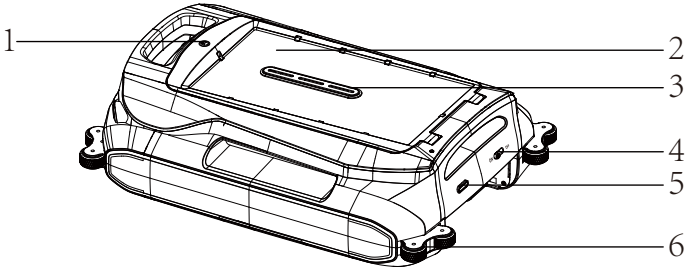
01. Do not disassemble, repair or modify the machine yourself, otherwise it will damage the product and cause danger.
02. Do not use this product in an environment where there is a possibility of fire or explosion.
03. Do not stand or sit on the product or it may cause damage to the product or fall.

ATTENTION:

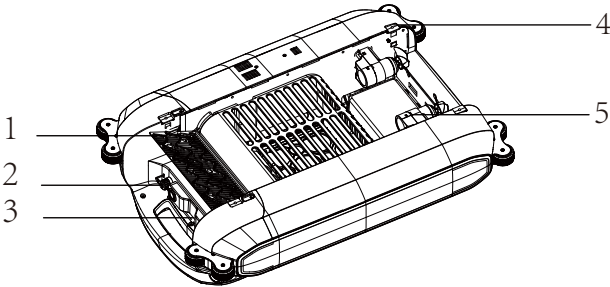
01. When the collection bin is full, please empty the debris before using the machine.
02. The use temperature range of this product is 32 degrees to 113 degrees Fahrenheit, do not use in high or low temperature environment.
03. SolarVac is not a toy, children shall not play with the appliance. Cleaning and user maintenance shall not be made by children without supervision.
04. Please ensure that this product is disposed of in compliance with all applicable local laws and regulations. Proper disposal helps protect the environment and ensures adherence to waste management guidelines set by regulatory authorities.
05. If not used for a long time, please turn off the power switch and recharge regularly.
06. This appliance must only be supplied at safety extra low voltage corresponding to the marking on the appliance.
07. This appliance contains batteries that are only replaceable by skilled persons.
08. Do not use your SolarVac in a pool where the alkaline or acidity levels are very high, the proper range should be between 6.5 to 8.6.

Product Description

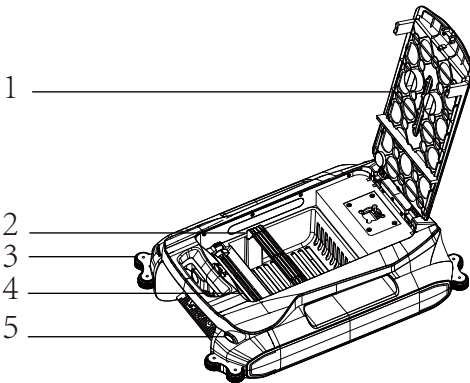
2.1 Parts name



- 1.Flip open button
- 2.Solar panels
- 3.Collection basket detection port
- 4.Power switch
- 5.Rear LED light
- 6.Guide wheel



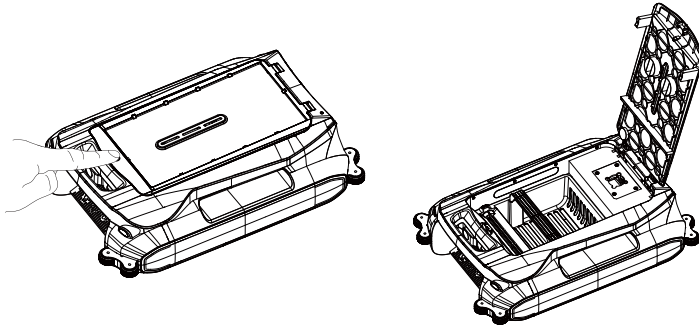
- 1.Garbage collection board
- 2.TYPE-C- charging port seal cover
- 3.Ultrasonic obstacle avoidance sensor
- 4.Kickstands x4
- 5.Propeller motor



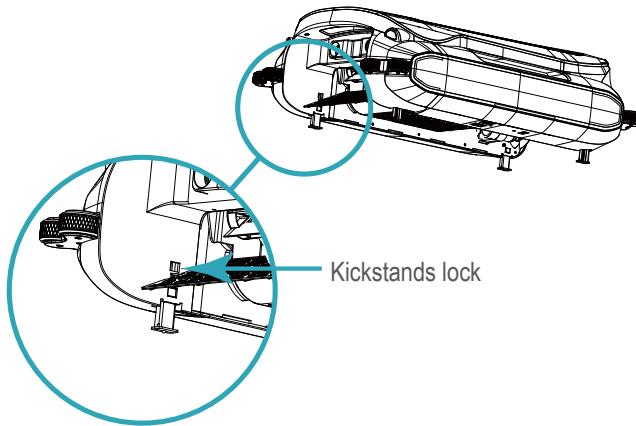
- 1.Fliptop
- 2..Collection basket
- 3.Guide wheel
- 4.impeller
- 5.Front LED light

Operating Instructions

3.1 Operational Guidelines



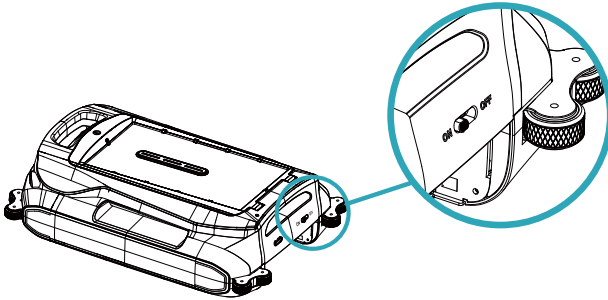
Press the flip open button before use to check that the collection basket is in place



The machine has four kickstands, one at each corner underneath. For infinity-type swimming pools, press the lock and lower the kickstands as needed. This will help keep the SolarVac inside the pool. Always place the machine gently on the water do not throw or drop it.

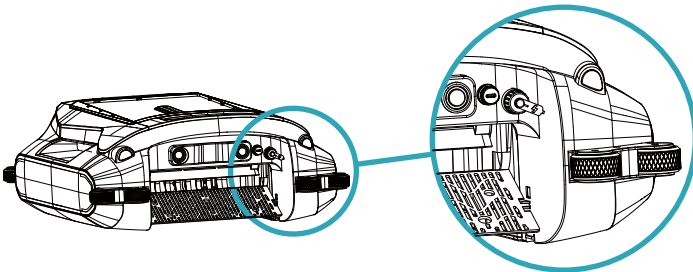
Operating Instructions

3.1 Operational Guidelines



Switch on the machine's power, and the green indicator light will illuminate. Within 3 to 5 seconds, the machine will automatically begin moving forward while avoiding obstacles in its path.

When used outdoors, if the power level drops below 20%, the machine will automatically locate an area with strong sunlight for charging. It will pause its current task and resume operation once the battery is charged to 30%.



The machine operates outdoors using 100% solar energy. During summer, it can fully support daytime operations by efficiently converting solar energy into electricity. However, in winter, the machine requires more time to charge, leading to reduced operating hours.

For indoor use, the machine must be charged using a 5V==2A adapter. Before charging, ensure the Type-C charging port is clean and free from water stains. To access the charging port, turn the charging cover counterclockwise, then connect the Type-C charging cable. Note that the machine will cease operation while charging. Make sure to keep the power switch on during the charging process. Once charging is complete, securely close the charging cover by turning it clockwise.

Product Features

2.2 Product Specs

Structure

Dimensions of the main unit: 26.1" x 17.8" x 7.6" / [663x453x193mm]

Net weight of the main unit: 13.23 lbs. / [6kg]

Electronic

Charging port input: 5V \equiv 2A

Rated power: 3W

Rated voltage: 7.2V \equiv

Battery rated capacity: 6400mAh

Type C charging time: 6-7 hrs. approx.

Accessory

USB charging cable: 1

User Manual: 1

QSG: 1

Collection Basket Specifications

Collection basket capacity: 1.19 gl / [4.5L]

Basket size: 2.0" x 9.6" x 5.3" / 305x245x135mm

LED Indicator

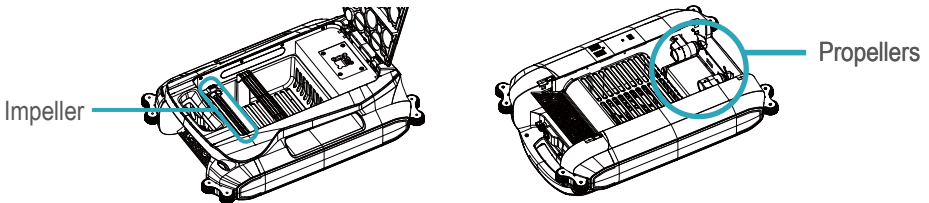
LED Indicator description of operations

LED Status	Rear LED	Front LED
OFF	OFF - Sleep mode or Fully charged into sleep mode	Sync as Rear LED
Breathing	Red - Roller jammed or Basket is full warning	Sync as Rear LED
Flash slowly	Red - Low battery indicator (0.2Hz)	Sync as Rear LED
Flash	Red - Charging indicator (0.5Hz) Green - auto-run cleaning mode (1Hz)	Sync as Rear LED
Flash fastly	Green - Manual controlliny to backward	Green - manual controlling the directions or One Touch parking (4Hz)
Solid on	RED - Propeller Jam warning Green - Standby Mode	Sync as Rear LED

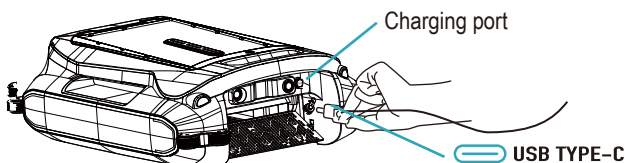
NOTE: Automatic sleep mode activates to conserve power when no solar input is detected.

Troubleshooting

If a foreign object clogs the impeller or propeller, causing the motor speed to slow down, the **LED light on the machine will turn solid RED**. This indicates that the machine is in a stopped state. **Remove the blockage**, then restart the machine to resume normal operation.



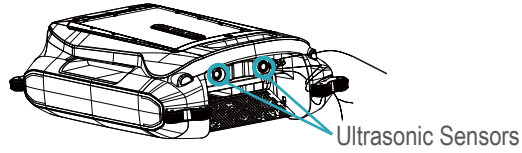
When the battery is low, the LED light on the machine will **Slowly flash RED**. To recharge, place the machine in a well-lit area for solar charging or connect it to a Type-C charger. Make sure the socket is dry and the power switch is switched on before charging. The waterproof cover of the charging port must be closed before going under water.



LED Indicator

LED Indicator description of operations

If the ultrasonic sensor becomes dirty or water-stained, it may affect its functionality and cause the machine to continuously rotate in working mode. **Clean the ultrasonic sensor with a towel to restore proper operation.**



Troubleshooting

More Troubleshooting

Faults	Possible Reasons	Solution
Machine does not work	The power switch at the rear of the machine is not turned on	Turn the power switch on
	The machine is out of power or the power is not enough	Please use the adapter to fully charge or put it under the sunlight to charge (the machine will work automatically after charging to 30%)
	The machine triggers an alarm fault	According to the indicator status or APP prompts, troubleshooting
	The collection basket is full, the light flashes red.	The machine needs to be switched on and off again to activate the machine after clearing the blockage
	The machine is in non-automatic cleaning mode	Enter auto-cleaning mode in APP or switch on the machine again.
The product cannot be charged	The power switch at the rear of the machine is not turned on	Turn the power switch on
	The charging plug of Type C cable is not fully inserted	Please check whether the charging cable is plugged in properly
	Outdoor sunlight is not enough	Please use the Type C adapter to charge the machine.
Machine rotates in place	The ultrasonic sensor surface is dirty or excessively waterlogged	Please wipe the ultrasonic sensor with a towel

Using the App

APP Connection

APP settings



Download and install the "Fugoo Link" app by searching for it on the App Store or Google Play. Once installed, follow the on-screen instructions on your smart device.



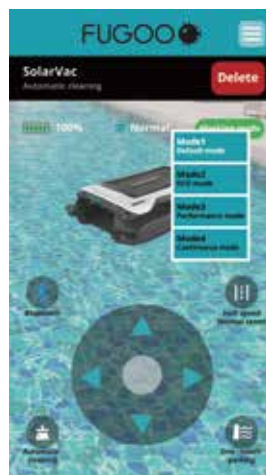
Follow the on-screen prompts to power on your device, ensure it remains within range, and activate Bluetooth on your phone. Once the steps are completed and the device status is confirmed, click 'Next' and wait for the device to pair.



Paired Unsuccessfully



Linked Successfully



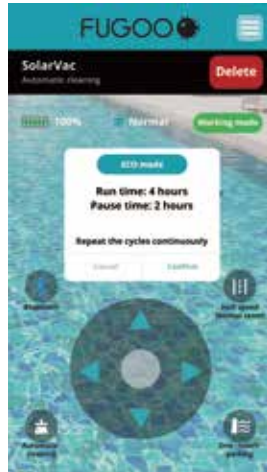
Working mode page

Using the App

APP (Cont'd)



Default mode



Eco mode



Performance mode

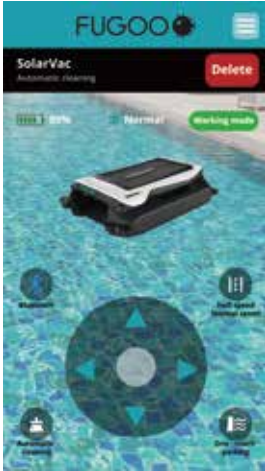


Continuous mode

Using the App

APP (Cont'd)

SolarVac is now ready to use with its intuitive app. For optimal performance, carefully follow the usage instructions, paying special attention to the LED lighting modes and unit maintenance guidelines.



Battery 80%

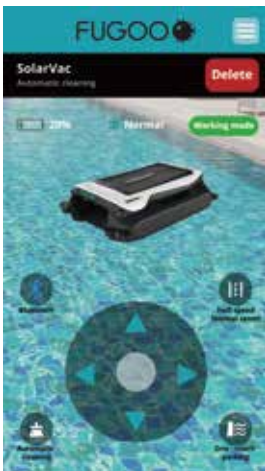


Battery 60%



Battery 40%

Bluetooth connectivity generally operates within a typical range of approximately 30 to 33 feet under optimal conditions. However, this range can be influenced by various environmental factors such as physical obstructions, electromagnetic interference. To ensure uninterrupted communication, it is crucial that your SolarVac and the paired smart device remain within this operational range.



Battery 20%



Start Cleaning



Stop Cleaning

Using the App

APP (Cont'd)



Start Parking



Basket Full/Clean Basket



Left Propeller Stuck/Clean Propeller



Right Propeller Stuck/Clean Propeller



Paused due to low battery



Paused due to overflow edge or sun deck

Using the App

APP (Cont'd)



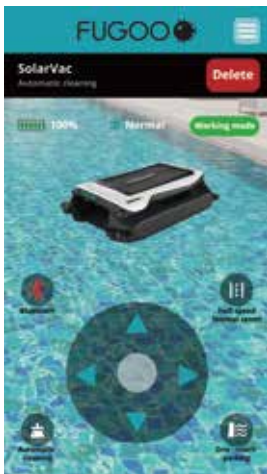
Rolling Brush Stuck/Clean Rolling Brush



Deleting SolarVac App



SolarVac App Information



Bluetooth icon turn red



Updating the SolarVac App



Upgrading SolarVac App/Downloading

Using the App

APP (Cont'd)



Upgrade successfully

Additional Information

Description Working Mode

The swimming pool robot has four built-in working modes, which users can switch on the mobile app. The default mode is 1

Mode 1: The machine will sleep for 1 hour every 2 hours of operation, continuously cycling;

Mode 2: The machine will sleep for 2 hours every 4 hours of operation, continuously cycling;

Mode 3: The machine will sleep for 5 hours every 6 hours of operation, continuously cycling;

Mode 4: The machine operates 24 hours a day without interruption.

Note: When the machine is in modes 1, 2, and 3, before entering the sleep mode, robot will enter the parking mode firstly and robot will auto to park to the edge of swimming pool.

Pop menu to remind the users while they select the mode #4

--To optimize battery and motor life, it is recommended to use Modes 1, 2 or 3.

Battery Reminder

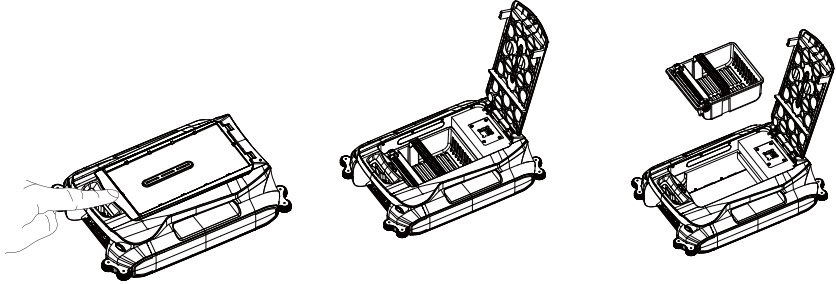
When the battery level drops below 20%, the machine will enter sleep mode and the LED will automatically turn off. During this time, the app may not function properly.

Please ensure the machine is fully charged before use.

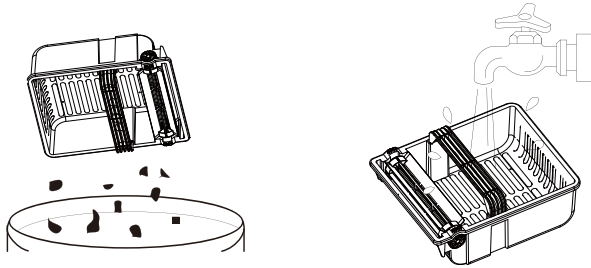
To protect the battery and motor, remove the machine from the pool and store it indoors if the outdoor temperature is 32°F (0°C) or lower.

Product Maintenance

Cleaning the Collecting Basket



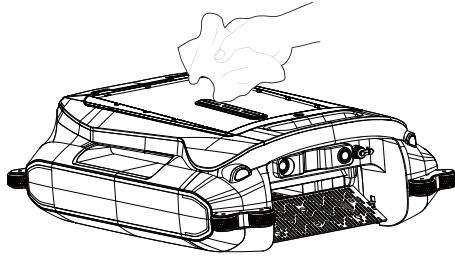
Press the flip open button to remove the collection basket.



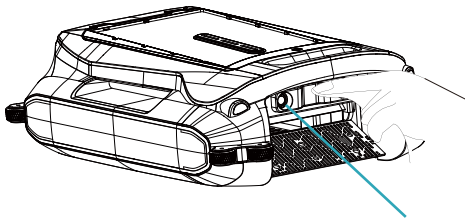
Remove the trash from the Collection basket, wash it with water, and put it back into the machine

Product Maintenance

Cleaning the SolarVac



To maintain the efficiency of solar charging, regularly remove dust, fallen leaves, and other debris from the solar panel. The SolarVac can be rinsed with water and wiped clean for optimal performance.

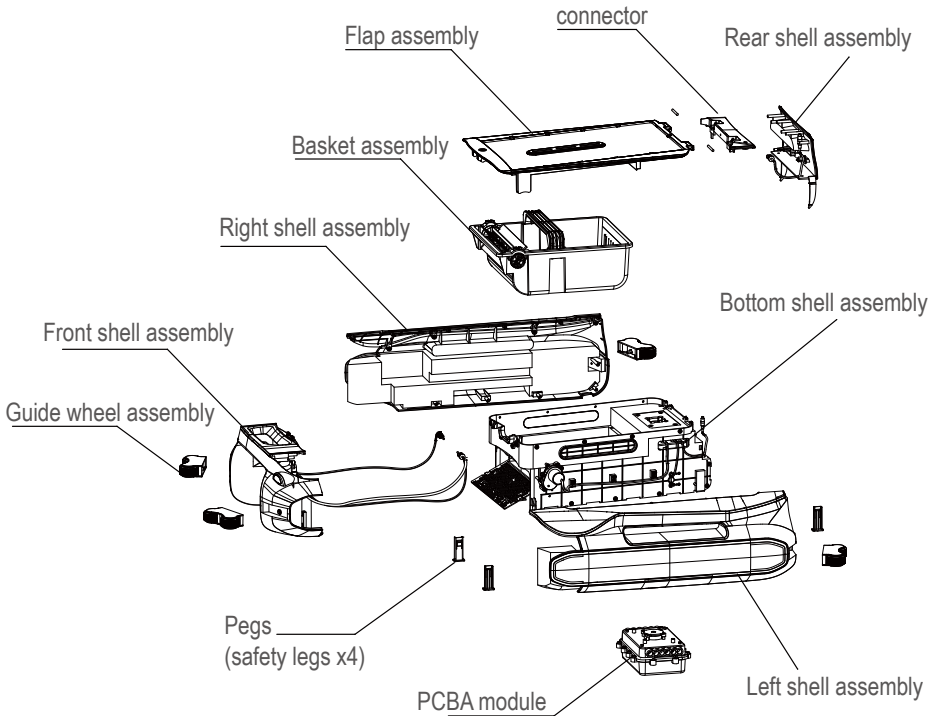


Ultrasonic Sensors

Ultrasonic sensors should be cleaned regularly to ensure proper functioning. Dirt or water stains can interfere with the machine's distance measurement, potentially causing continuous rotation. Use a clean towel to wipe the sensors and restore normal operation.

Components

Name of Parts





One Year Consumer Limited Warranty

This Fugoo-branded product, marketed as new, in the original carton to the original purchaser ("Product"), is warranted against manufacturing defects in materials and workmanship for a limited warranty period of one (1) year for labor and one (1) year for parts. This "Limited Warranty" is conditioned upon proper use of Product by you, the Purchaser. This Limited Warranty does not apply to store display products and product sold as a "marked down" special, in as is condition, "close outs", "liquidation and clearance sales", "open box", "products missing accessories", or "no fault found". Proof of purchase in the form of a Bill of Sale, Receipt or Received Invoice is evidence the Product is within the Limited Warranty period. The Bill of Sale, Receipt or Received Invoice must be presented as a pre-condition to obtaining the limited warranty service.

This Limited Warranty begins on the original date of purchase and is valid only on Products purchased through authorized dealers and used in the United States, Puerto Rico, and Canada by the original Purchaser. To receive warranty service, the Purchaser must first contact us for problem determination and service procedures. The original dated bill of sale, receipt, or ecepted invoice must be presented upon request as proof of purchase.

We will repair your product or if repairs cannot be made, we will replace it at no charge with the same or similar product. If the Product is defective as specified in this Limited Warranty during the limited warranty period, we may use new or remanufactured parts to repair the Product. All replaced parts and products become our property and must be returned to us. Replacement parts and Products assume the remaining original Limited Warranty, or ninety (90) days, whichever is longer.

Product freight must be prepaid by you, the original Purchaser, and shipped in either its original packaging or packaging affording an equal degree of protection. We will not be responsible for or obligated to replace damaged Products. If the Product is received damaged, it is your responsibility as the consumer to file a claim against the carrier. We will only store the damaged Product for 30 days and reserve the right, in our sole discretion, to dispose of the damaged Product or ship it back to you at your expense after 30 days.

This Limited Warranty covers manufacturing defects in materials and workmanship encountered in normal, and except to the extent otherwise expressly provided for in this statement, noncommercial use of this Product, and shall not apply to the following, including, but not limited to: Damage which occurs in shipment; delivery and installation; applications and uses for which this Product was not intended; altered Product or serial numbers; cosmetic damage or exterior finish; accidents, abuse, neglect, fire, water, lightning or other acts of nature; use of products, equipment, systems, utilities, services, hardware, supplies, accessories, applications, installations, repairs, external wiring or connectors not supplied or authorized by us or the manufacturer, which damage this Product result in service problems; incorrect electrical line voltage, fluctuations and surges; customer adjustments and failure to follow operating instructions, cleaning, maintenance and environmental instructions that are covered and prescribed in the instruction book; reception problems and distortion related to noise, echo, interference, or other signal transmission and delivery problems; burned-in images. Uninterrupted or error-free operation of the Product is not warranted.

THERE ARE NO EXPRESS OR IMPLIED WARRANTIES OTHER THAN THOSE LISTED AND DESCRIBED ABOVE, AND NO WARRANTIES WHETHER EXPRESS OR IMPLIED, INCLUDING, BUT NOT LIMITED TO, ANY IMPLIED WARRANTIES OF MERCHANTABILITY OR FITNESS FOR A PARTICULAR PURPOSE, SHALL APPLY AFTER THE EXPRESS WARRANTY PERIODS STATED ABOVE, AND NO OTHER EXPRESS WARRANTY OR GUARANTY GIVEN BY ANY PERSON, FIRM OR CORPORATION WITH RESPECT TO THIS PRODUCT SHALL BE BINDING ON US. REPAIR OR REPLACEMENT AS PROVIDED UNDER THIS LIMITED WARRANTY IS YOUR EXCLUSIVE REMEDY AS THE CONSUMER. WE SHALL NOT BE LIABLE FOR ANY INCIDENTAL, OR CONSEQUENTIAL DAMAGES FOR BREACH OF ANY EXPRESS OR IMPLIED WARRANTY ON THIS PRODUCT; EXCEPT TO THE EXTENT PROHIBITED BY APPLICABLE LAW. ANY IMPLIED WARRANTY OF MERCHANTABILITY OR FITNESS FOR A PARTICULAR PURPOSE ON THIS PRODUCT IS LIMITED FOR THE DURATION OF THIS LIMITED WARRANTY. THIS LIMITED WARRANTY SHALL NOT EXTEND TO ANYONE OTHER THAN THE ORIGINAL PURCHASER OF THIS PRODUCT, IS NONTRANSFERABLE, AND STATES YOUR EXCLUSIVE REMEDY.

Some states or provinces do not allow limitations on how long an implied warranty lasts, or the exclusion or limitation of incidental or consequential damages, so the above limitations or exclusions may not apply to you. This Limited Warranty gives you specific legal rights, and you may also have other rights, which vary from state to state, or province to province. Any provision contained herein which is found contrary to state, province or local laws shall be deemed null and void and the remaining provisions shall continue in full force and effect.

PLEASE CONTACT US AT OUR CUSTOMER SUPPORT FOR ASSISTANCE BEFORE RETURNING TO STORE:

Phone: (877) 435-7596
Email: support@fugoo.com /
Website: <https://fugoo.com>

Hours of Operation:
Monday - Friday: 6 am to 6:30 pm (PST)
Saturday - Sunday: 8:00 am to 4:30 pm (PST)

FUGOO 

SolarVac 

Model: FSV100

Solar Powered Pool Cleaning Robot

PLEASE CONTACT US AT OUR CUSTOMER SUPPORT FOR ASSISTANCE BEFORE RETURNING TO STORE:

Phone: (877) 435-7596 • Email: support@fugoo.com • Website: <https://fugoo.com>